

Maintain traffic in adjacent lanes.

For joint details, see PV-101.

If an existing 'CF' joint is located approximately 60 feet from the new 'B' or 'RT' joint, the joint is to be recut to a width of 4 inches and new form joint material installed. If no 'CF' exists, construct a new 'CF' joint approximately 60 feet from the new 'B' or 'RT' joint.

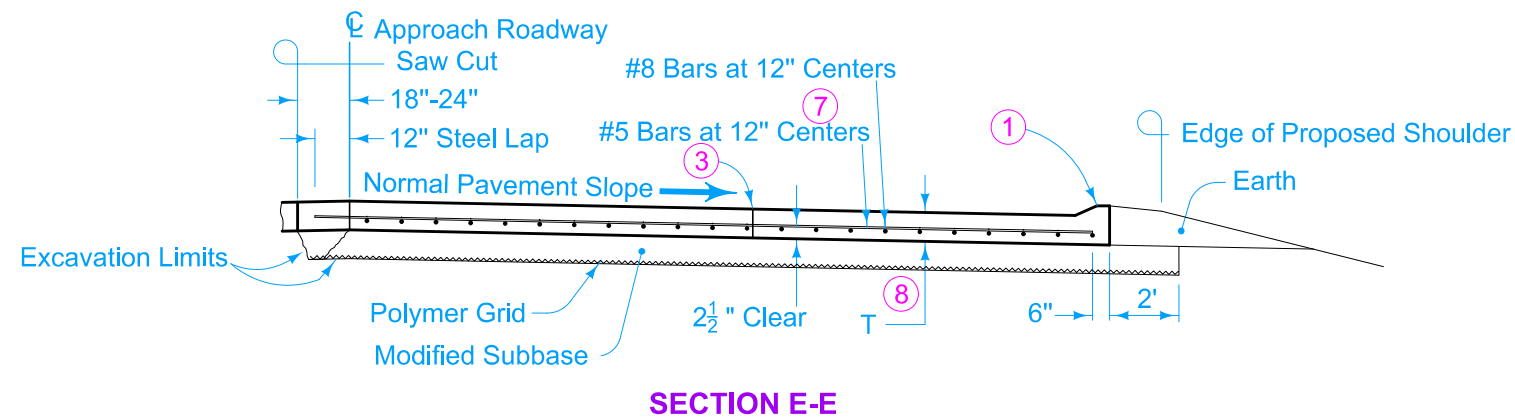
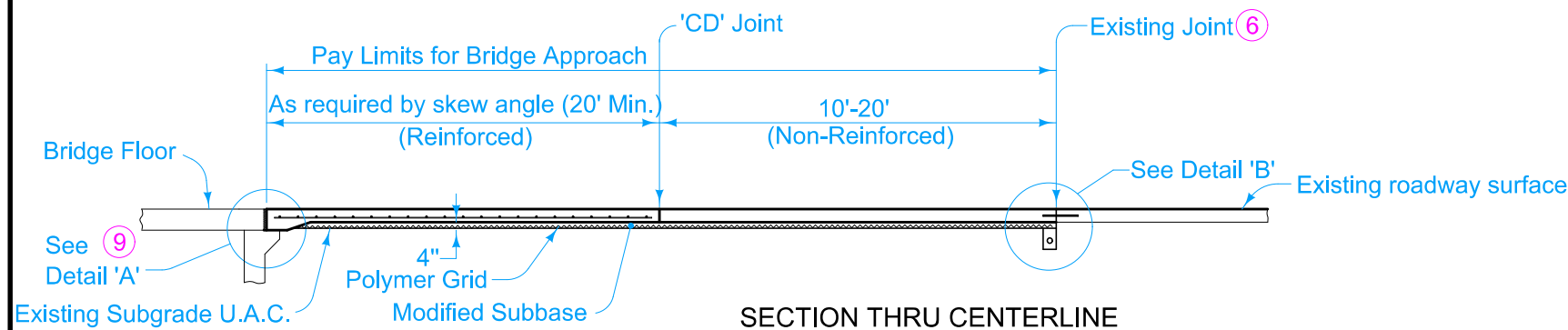
Modified Subbase under paved shoulder panels adjacent to the bridge approach is incidental to "Paved Shoulder, P.C. Concrete", unless measured and paid for elsewhere on the project plans.

- ① Build curb to end of Reinforced Bridge Approach Section. See Curb Location Details (Section B-B on BR-101).
- ② Place 'RD' joint if P.C. Shoulder; 'B' joint otherwise.
- ③ Optional 'KS-1' joint.
- ④ See Typical Paving Cross-Sections.
- ⑤ Slope Subdrain to drain.
- ⑥ Place 'RT' joint if existing pavement is P.C., 'B' joint otherwise.
- ⑦ If bridge is skewed, place additional #5 bar parallel to skewed face.
- ⑧ T=10 inches.
- ⑨ See BR-101.

Possible Contract Items:

- Bridge Approach, Two Lane
- Paved Shoulder, P.C. Concrete
- Longitudinal Grooving in Concrete, Bridge Deck and/or Approaches

Possible Tabulation:
112-6



	REVISION	
	3	10-20-26
STANDARD ROAD PLAN		BR-112
REVISIONS: Modified bid items.		SHEET 1 of 1
 APPROVED BY DESIGN METHODS ENGINEER		
BRIDGE APPROACH DETAILS (IN CONJUNCTION WITH BRIDGE DECK OVERLAY)		