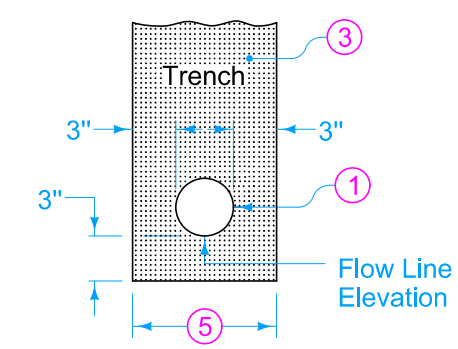
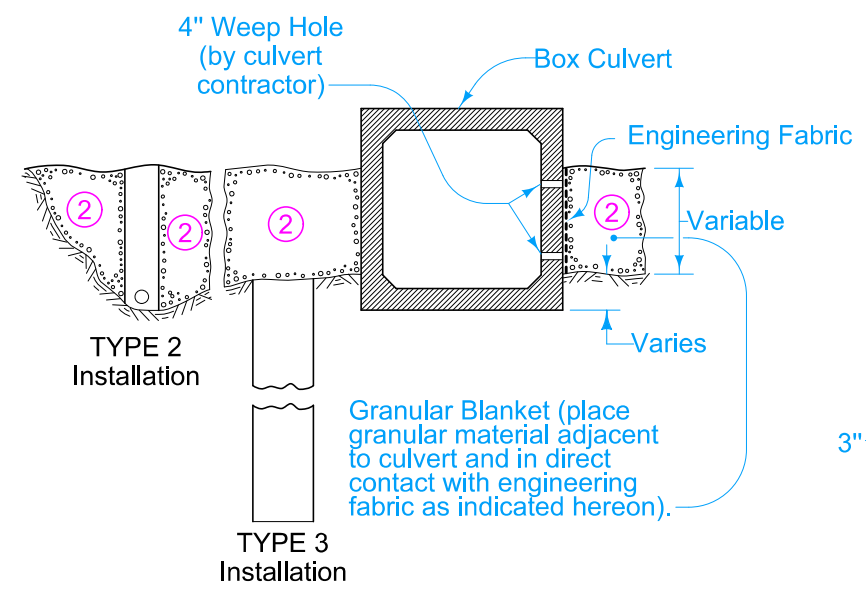
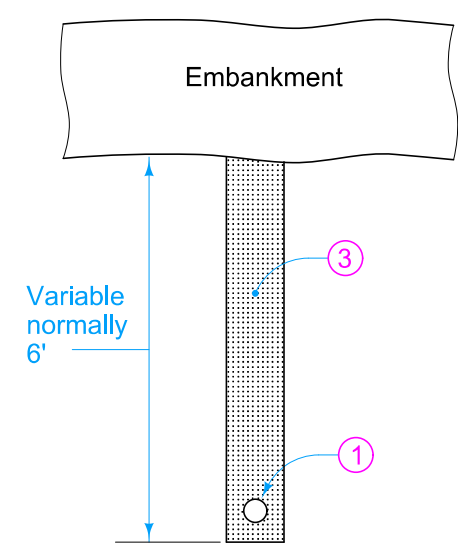
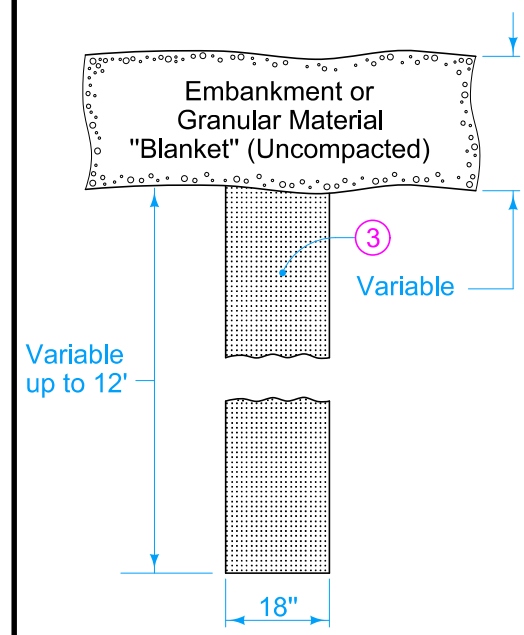
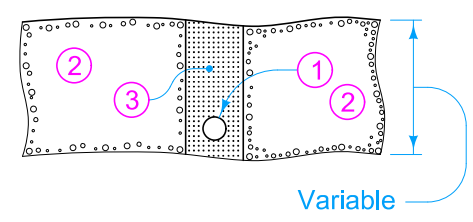
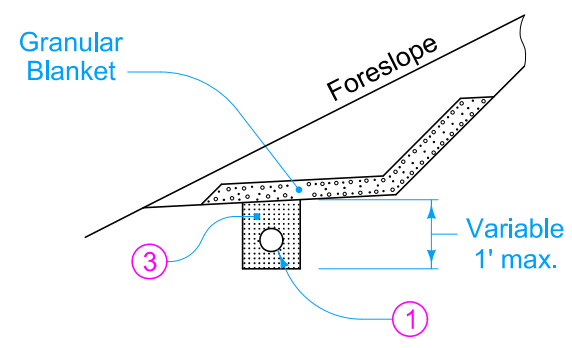


PLAN VIEW OF TYPICAL STANDARD SUBDRAIN INSTALLATIONS



For specific information for individual locations, refer to the detail project plans, soils survey sheets, and tabulations of subdrains.

Dispose of material excavated from trenches for subdrain as directed by the Engineer. No extra compensation will be made for such disposal.

Cap blind ends of subdrains with a metal cap or by other methods approved by the Engineer. Install all perforated pipe with the perforations centered on flowline of the bottom side of the subdrain.

Place Granular Material for Blankets as indicated on the plans.

- ① Perforated Subdrain (Polyethylene Corrugated Tubing).
- ② Granular Material for Blanket (Uncompacted).
- ③ Porous Backfill (Uncompacted).
- ④ For Subdrain outlet construction details, see DR-305 and DR-306.
- ⑤ 10 inches for 4 inch subdrain; 12 inches for 6 inch subdrain.

- Possible Contract Items:
- Standard Subdrain
 - Trench Drain
 - Granular Material for Blanket and Subdrain
 - Subdrain Outlet (DR-305)
 - Subdrain Outlet (DR-306)

- Possible Tabulations:
- 104-5C
 - 104-6

 STANDARD ROAD PLAN	REVISION	
	2	04-19-22
DR-301		SHEET 1 of 1
REVISIONS: Added 104-6 to Possible Tabulations.		
 APPROVED BY DESIGN METHODS ENGINEER		
SUBDRAINS FOR FILL OR FOUNDATION DRAINAGE (STANDARD)		