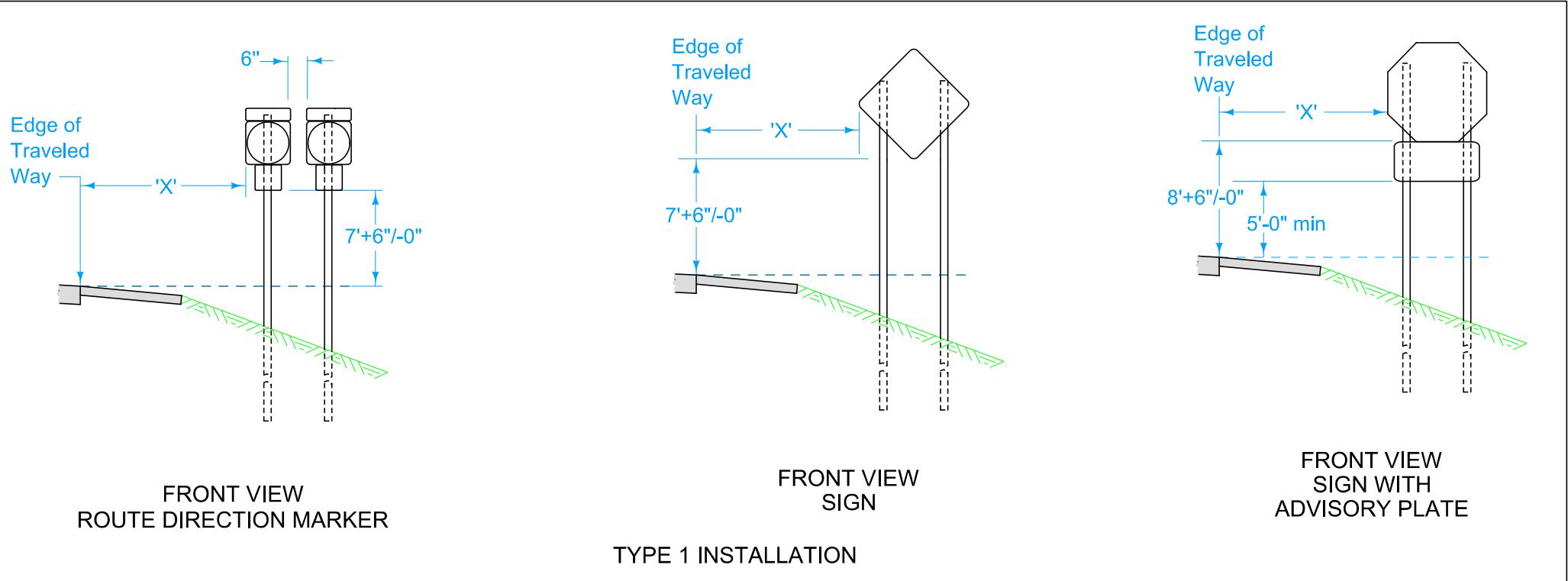
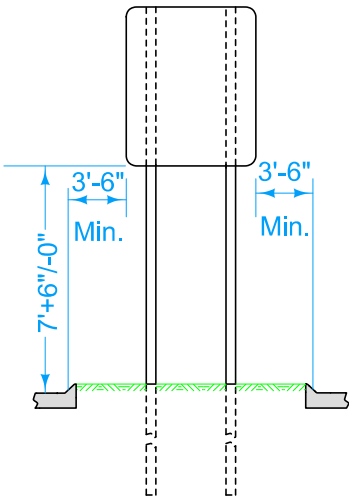


Final sign location will be at the discretion of the Engineer.

- Use the Type 1 installation in any case except where:
- (A) Specified otherwise in the plans.
 - (B) Directed otherwise by the Engineer.
 - (C) A Type 3 installation is required due to location in an island or gore area.



TYPE 1 INSTALLATION



FRONT VIEW SIGN LOCATION Type 3 Installation

Type 3 installation is intended to show the requirements for a Type 'A' sign when installed in an island or median (where traffic passes on both sides of the sign) as well installed adjacent to a curbed roadway (sign may be located on either side of a roadway as specified in project plans).

- Possible Contract Items:
- Remove and Reinstall Sign as per plan
 - Wood Posts for Type A or B signs, 4in x 6in
 - Perforated Square Steel tube Post (Anchor Series)
 - Type A Signs, Sheet Aluminum
 - Install Type A Sign

- Possible Tabulations:
- 190-51
 - 190-61
 - 190-62
 - 190-66

 STANDARD ROAD PLAN	REVISION	
	1	04-19-16
	SI-101	
SHEET 1 of 1		

REVISIONS: Changed Lane Edge Line' to 'Edge of Traveled Way'. Replaced 'Y' with numerical value including tolerance. Removed advisory sign from middle view.

Shawn Miller
APPROVED BY DESIGN METHODS ENGINEER

**LOCATIONS-
TYPE 'A' SIGNS**