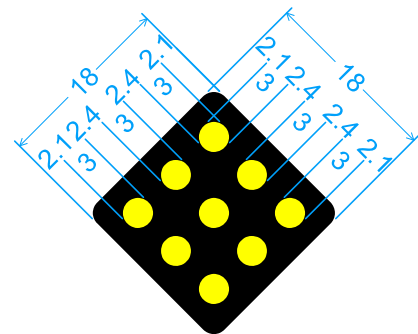


Fabricate object markers from materials complying with Section 4186 of the Standard Specifications.

Buttons on Type 1 Object Markers may consist of yellow reflectors or yellow reflective sheeting. Do not mix types on any single object marker. When reflectors are used, attach to sign blank with an aluminum, brazier head, blind rivet of $\frac{3}{16}$ inch diameter and a grip range of $\frac{1}{8}$ to $\frac{3}{8}$ inches.

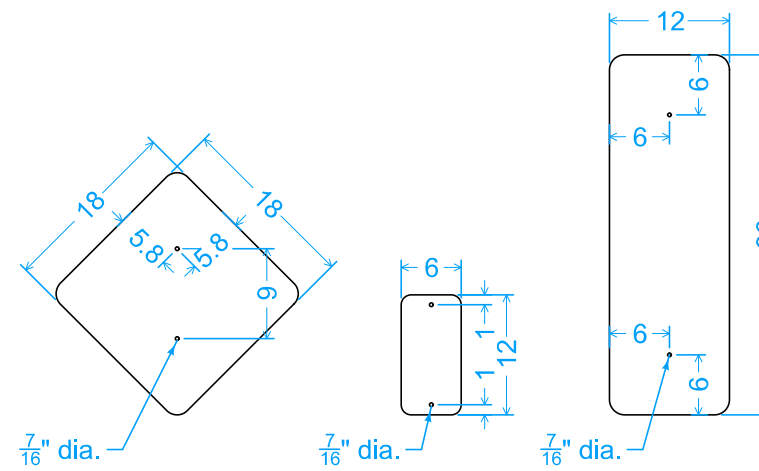
Install object markers truly vertical.

Ensure top of post does not extend above top of object marker.

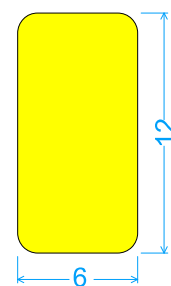


OM1-2;
1.5" Radius, No border, Black

TYPE 1 OBJECT MARKER

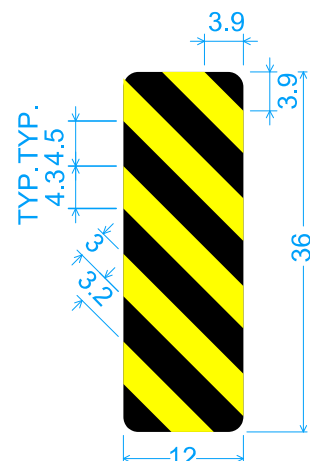


SIGN BLANKS

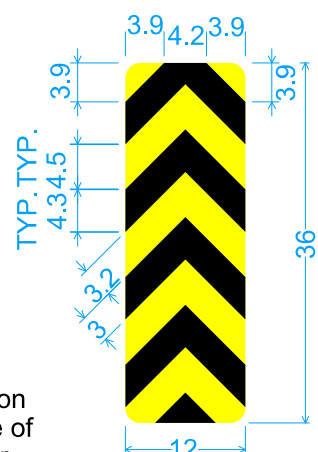


OM2-2;
1" Radius, No border, Yellow

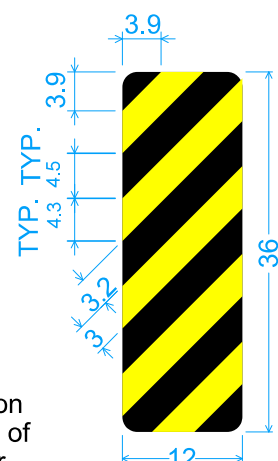
TYPE 2 OBJECT MARKER



OM3-L;
1.5" Radius, No border,
Black, Yellow Diagonal

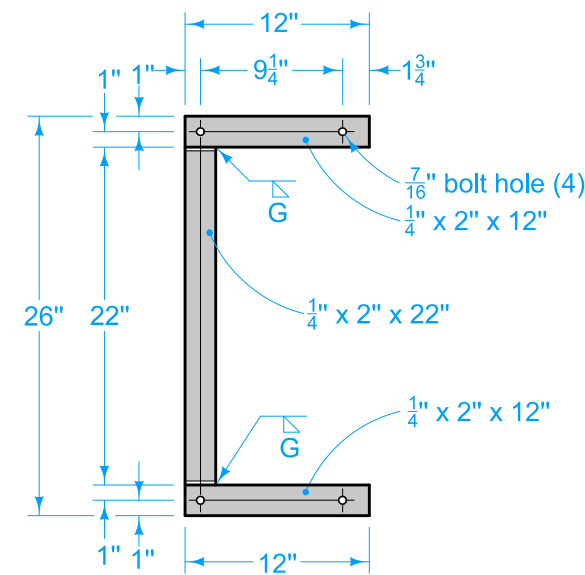


OM3-C;
1.5" Radius, No border,
Black, Yellow Diagonal



OM3-R;
1.5" Radius, No border,
Black, Yellow Diagonal

TYPE 3 OBJECT MARKERS



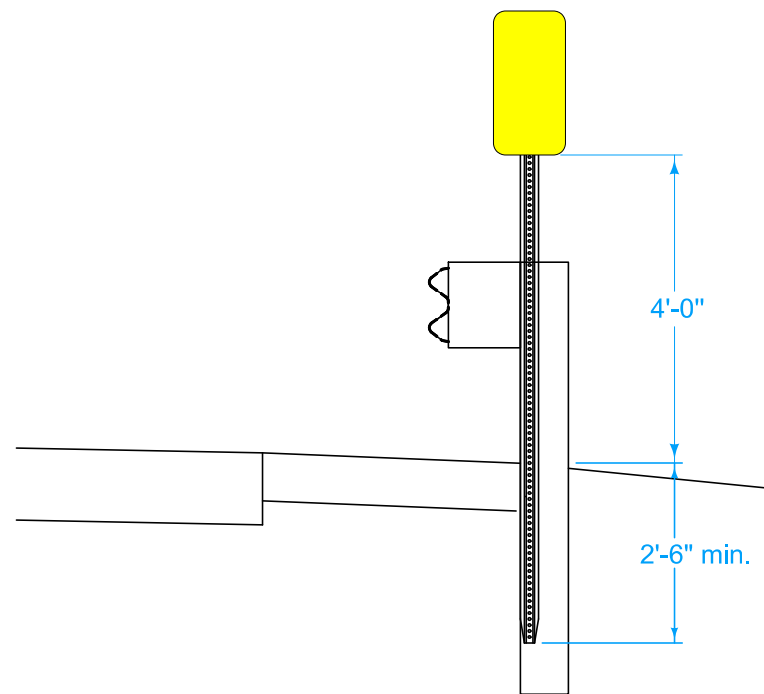
OFFSET BRACKET
Galvanize in accordance with AASHTO M 111.

Possible Contract Item:
Object Marker

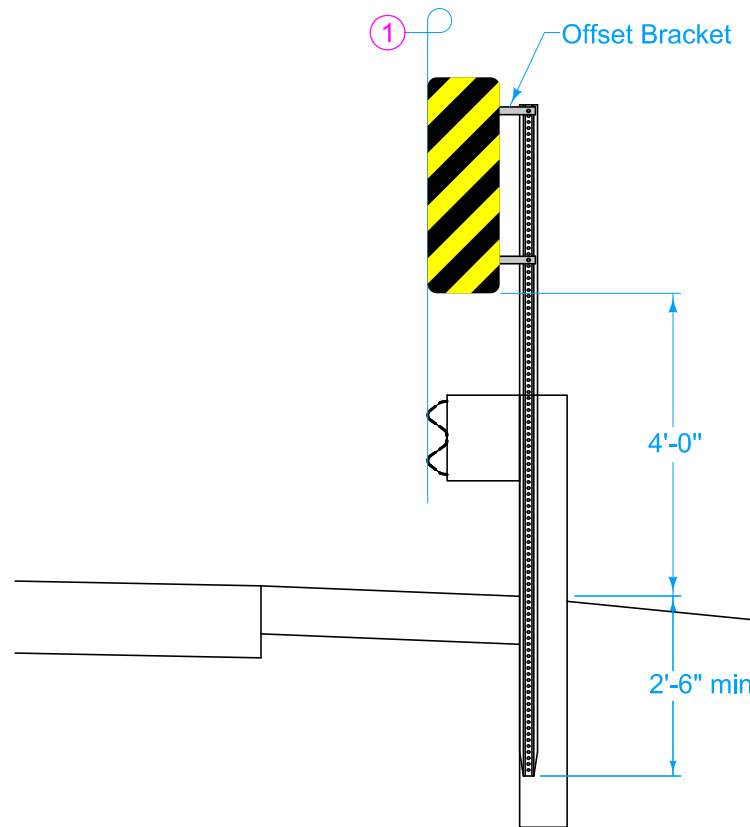
Possible Tabulation:
190-25

	REVISION	
	1	04-19-16
STANDARD ROAD PLAN		SI-173
		SHEET 1 of 2
REVISIONS: Removed OM1-1, OM1-3, and .063" aluminum call out on page 1. Modified general notes, drawing labels, and changed dimensions to 1 pt of accuracy.		
APPROVED BY DESIGN METHODS ENGINEER		

OBJECT MARKERS

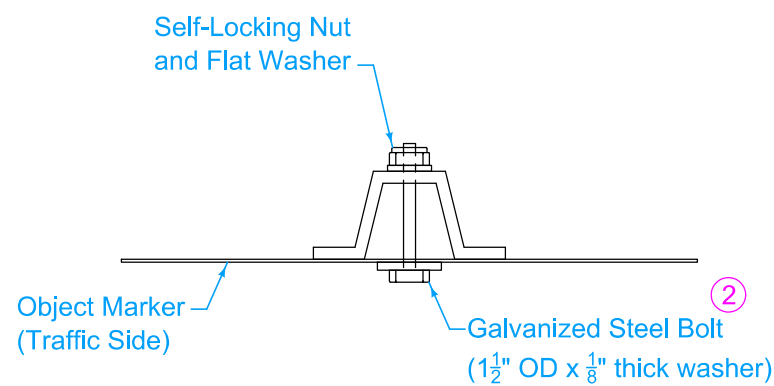


TYPE 2

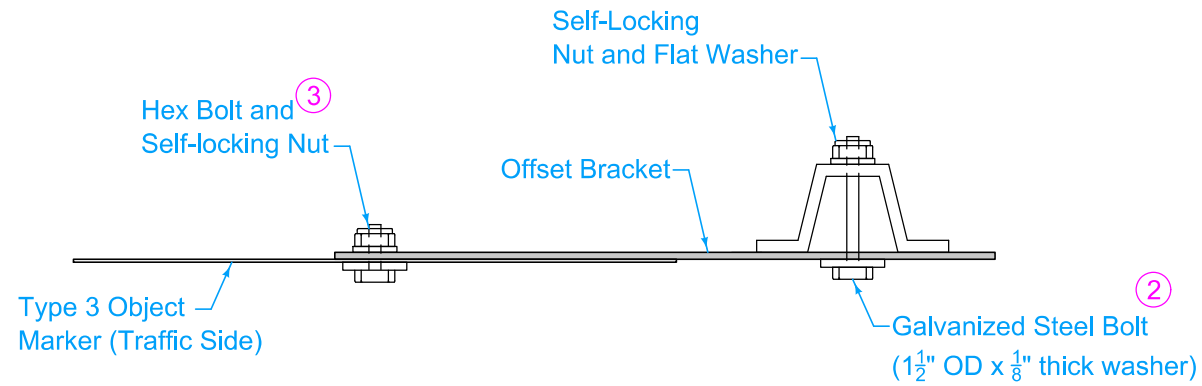


TYPE 3

INSTALLATION AT GUARDRAIL LOCATIONS



STANDARD ATTACHMENT



OFFSET BRACKET ATTACHMENT

- ① Install Type 3 Object Markers so the inside edge of the marker is in line with the inner edge of the obstruction.
- ② Attach object marker or offset bracket to the delineator post at two locations. Use the following per bolt hole location:
 - one galvanized $\frac{5}{16}$ in. dia x $2\frac{1}{4}$ in. length hex head bolt with matching self locking nut.
 - galvanized steel washer, $\frac{11}{32}$ " ID, $1\frac{1}{2}$ " OD, $\frac{1}{8}$ " thick under the head of the bolt.
- ③ When Type 3 Object Marker is installed on an offset bracket, attach marker to bracket at two locations. Use the following per bolt hole location:
 - one $\frac{5}{16}$ in. dia x $1\frac{1}{2}$ in. length hex head bolt with matching self locking nut.
 - galvanized steel washer, $\frac{11}{32}$ " ID, $1\frac{1}{2}$ " OD, $\frac{1}{8}$ " thick under the head of the bolt.

	REVISION	
	1	04-19-16
STANDARD ROAD PLAN		SI-173
		SHEET 2 of 2
REVISIONS: Removed OM1-1, OM1-3, and .063" aluminum call out on page 1. Modified general notes, drawing labels, and changed dimensions to 1 pt of accuracy.		
APPROVED BY DESIGN METHODS ENGINEER		
OBJECT MARKERS		