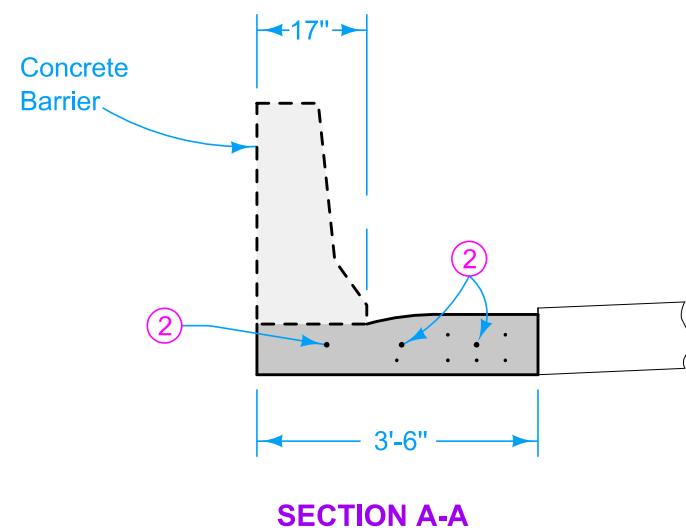


- ② (6) 1 1/4 inch smooth dowel bars in insert and 6 dowel bars in concrete barrier per installation.
- ③ Trowel smooth and place subgrade paper to prevent bond.
- ④ 12 inch minimum wall height above all pipes.

MAXIMUM PIPE DIAMETERS	
Precast Structure	Cast-in-place Structure
30"	36"



REINFORCING BAR LIST					
MARK	LOCATION	NO.	LENGTH	WEIGHT	SPACING
a1	Base	5	5'-0"	16.7	15"
a2	Base	5	5'-0"	16.7	15"
b1	Top	3	3'-4"	6.7	See Detail
b2	Top	2	5'-0"	6.7	See Detail
c1	Insert	6	11'-1"	44.4	See Detail
c1	Insert	6	13'-1"	52.4	See Detail
Total				91 lbs. or 99 lbs.	

	REVISION	
	3	04-17-18
STANDARD ROAD PLAN		SW-546
SHEET 2 of 2		
REVISIONS: Updated line work and Iowa DOT logo. Added concrete fillet detail and maximum pipe sizes.		
 APPROVED BY DESIGN METHODS ENGINEER		

**SINGLE OPEN-THROAT
BARRIER INTAKE**