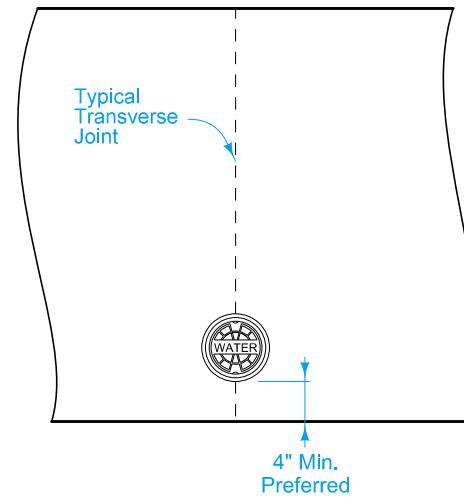
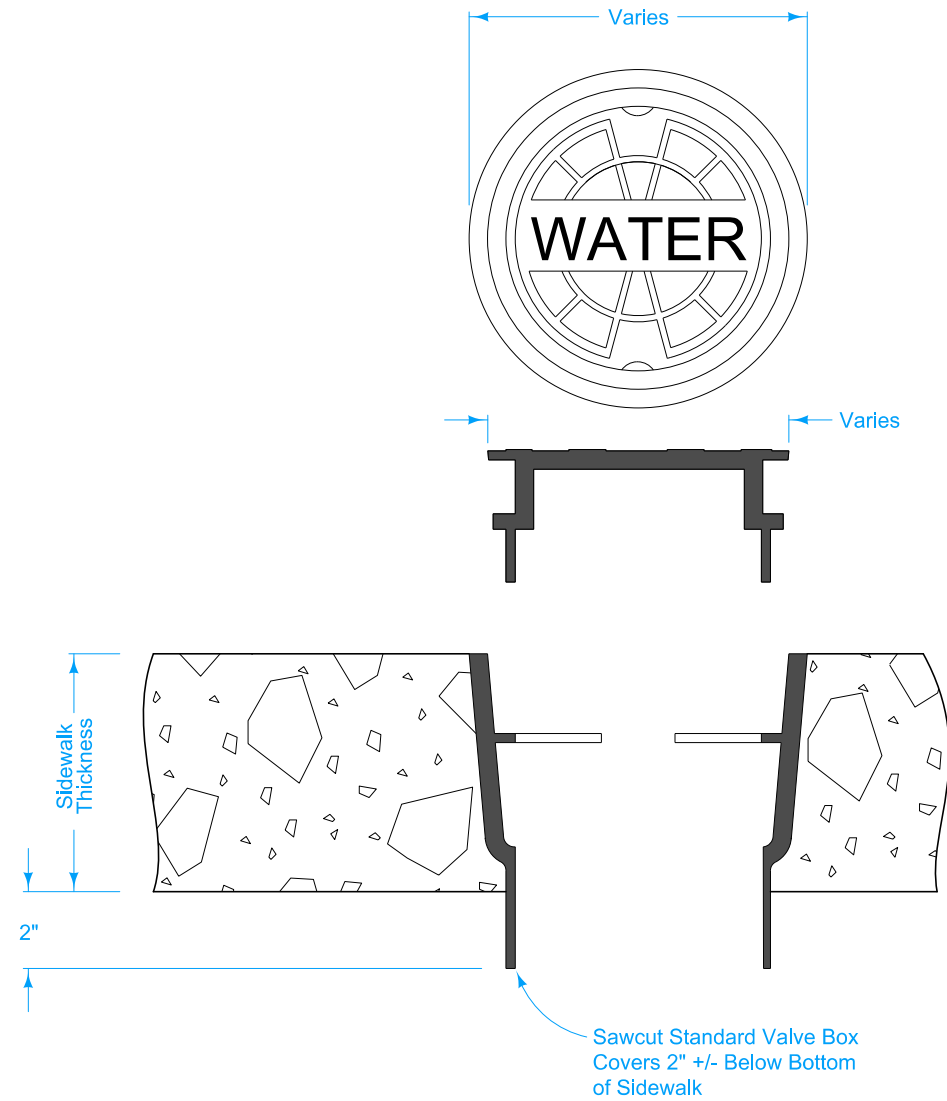
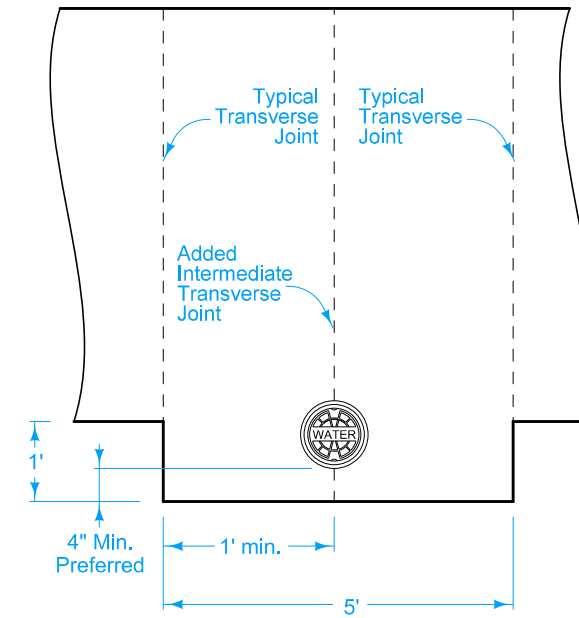


For a double curb stop cover, use the same cover shown.

The elevation of the shut-off cover may need to be staggered in order to pass heads through the lower flange or supporting seat.




CASE 1



CASE 2

Possible Contract Item:
Water Service Curb Stop, Cover Only

	REVISION	
	NEW	10-15-19
	560-8	
ROAD DESIGN DETAIL		SHEET 1 of 1
REVISIONS: New.		

**WATER SERVICE
CURB STOP COVER
LOCATED IN SIDEWALK**